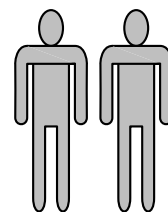
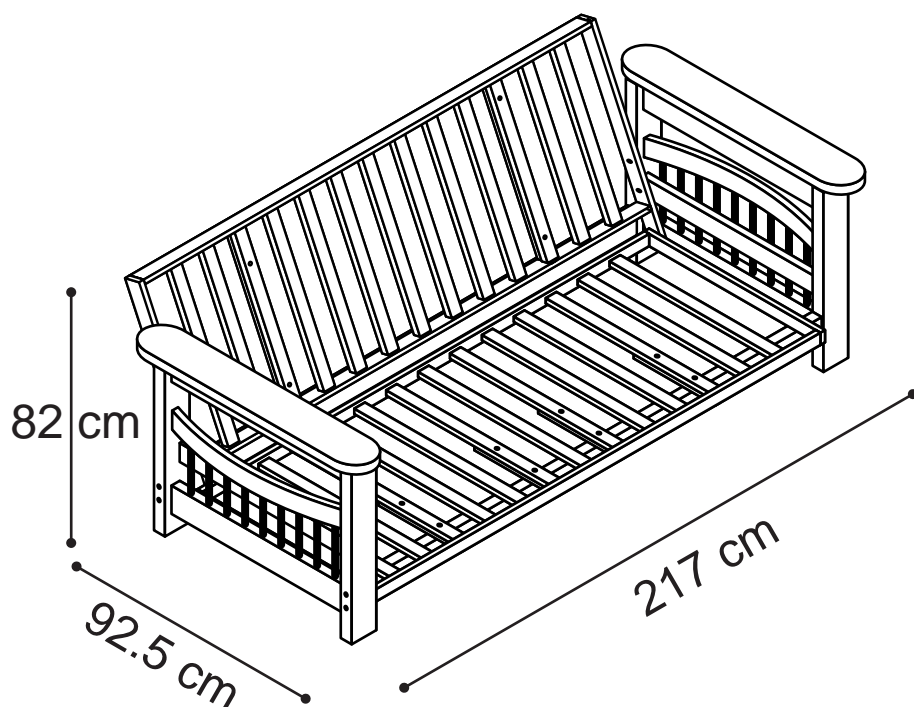


# Francisco/Jasmin Futon

## Assembly Instructions



Use 2 people and assemble unit close to its final position.

Assembly time: 1 hour approx.

### SAFETY WARNINGS / CARE OF PRODUCT

1. Before attempting to assemble or install this product read and follow the instructions in this leaflet and on any attached labels!!
2. **NEVER ALLOW CHILDREN TO PLAY WITH OR OPERATE THE FOLD OUT BED ACTION.**
3. **Routine Maintenance:**
  - Periodically check that all fixtures and connectors are tight.
  - Check the bed action operates smoothly, maintaining the bed in the correct position.
  - Check components for signs of damage.
4. Do not stand hot products directly on the wood surface.
5. Mop up any spills immediately.
6. Surface of wood is not resistant to bleaches, acids, or other "aggressive" agents.
7. Never use substitute parts. Always contact the supplier for replacement parts:

Kyoto Futons Ltd. Tel: 01778 380555 / Fax: 01778 380444

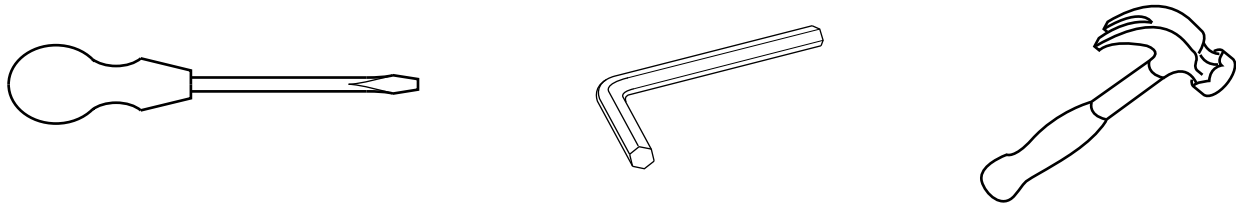
### Before Starting Assembly

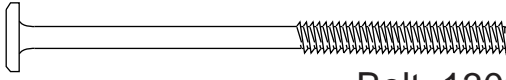
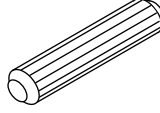

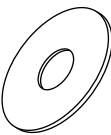

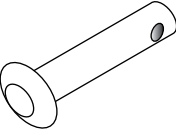
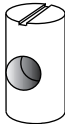

We suggest you spend a short time reading through this leaflet, then follow the simple step by step instructions. Some parts are viewed differently from the exploded drawing shown; this is for extra clarity.

**To avoid scratching, we advise that assembly takes place on a protected surface.**

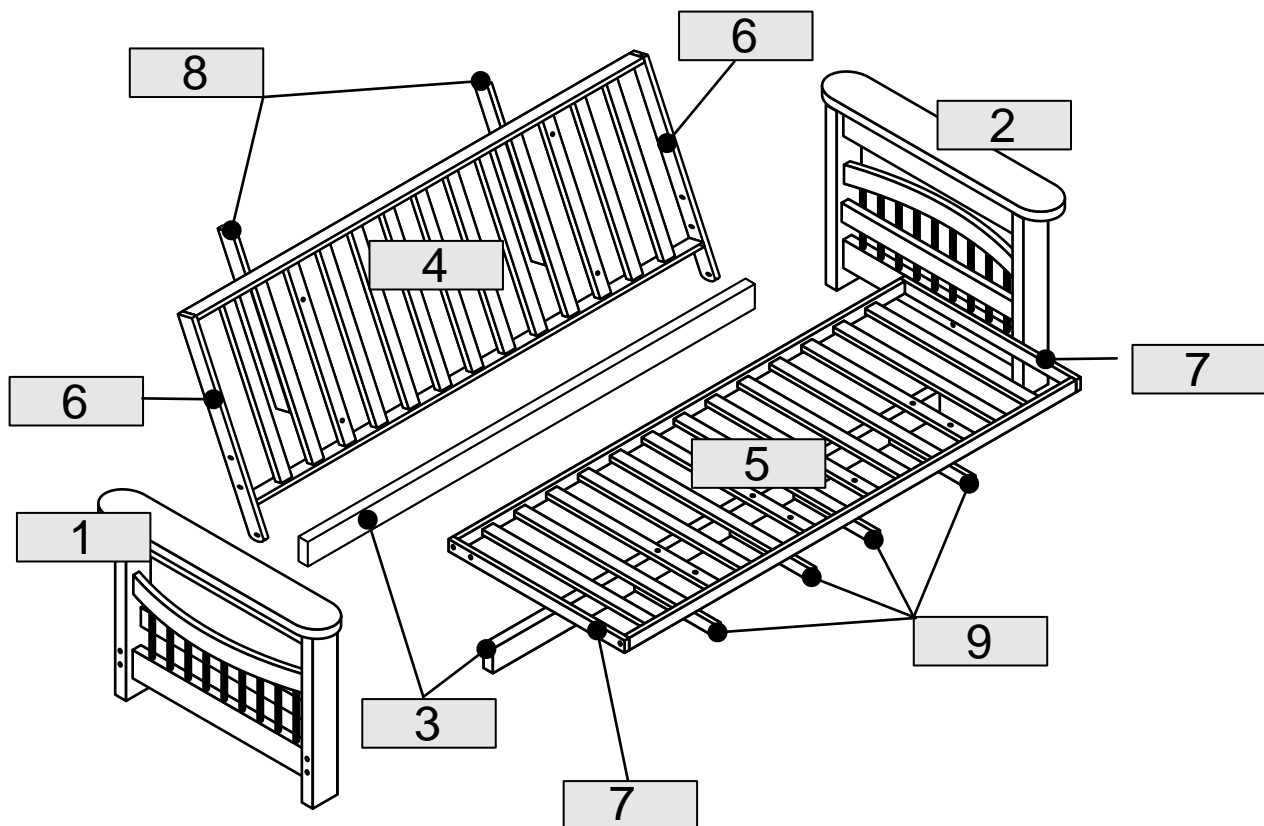
Do not discard any of the packaging, until you have checked all the parts and the pack of fittings.

## FITTINGS & TOOLS



ITEM	DESCRIPTION & QTY	ITEM	DESCRIPTION & QTY
A	 Bolt 130mm Qty: 8	E	 Dowel 30mm Qty: 20
B	 Bolt 60mm Qty: 8	F	 Washer Qty: 4
C	 Bolt 30mm Qty: 12	G	 Pin Qty: 2
D	 Barrel Nut Qty: 16	H	 Clip Qty: 2

## COMPONENTS

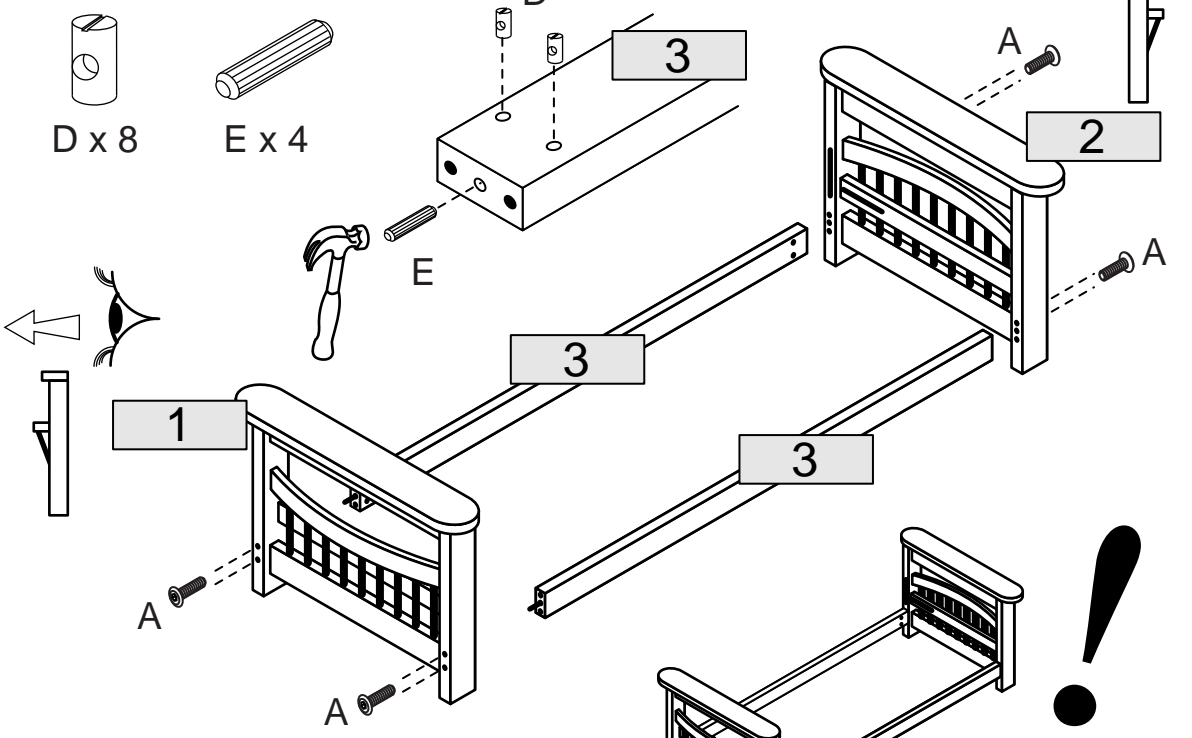
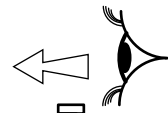
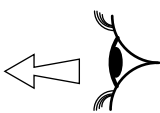
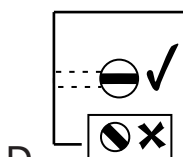


1

A x 8

D x 8

E x 4



DO NOT  
TIGHTEN BOLTS  
AT THIS STAGE

2

B x 8

D x 8

E x 16

